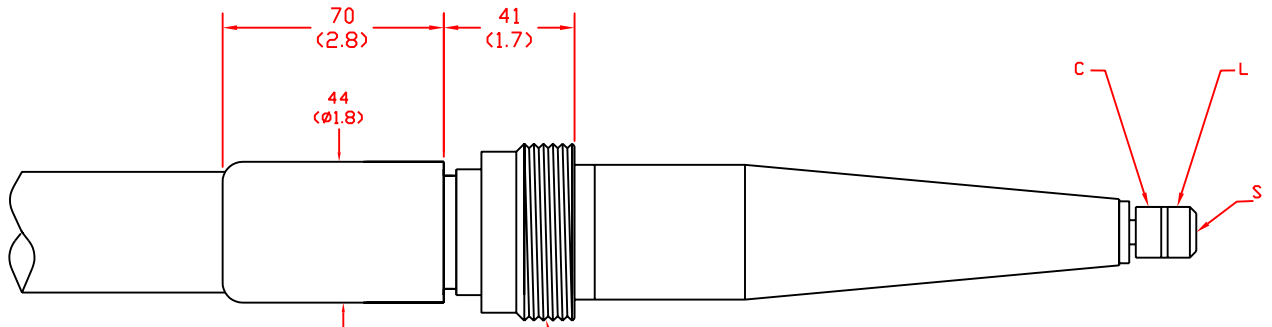
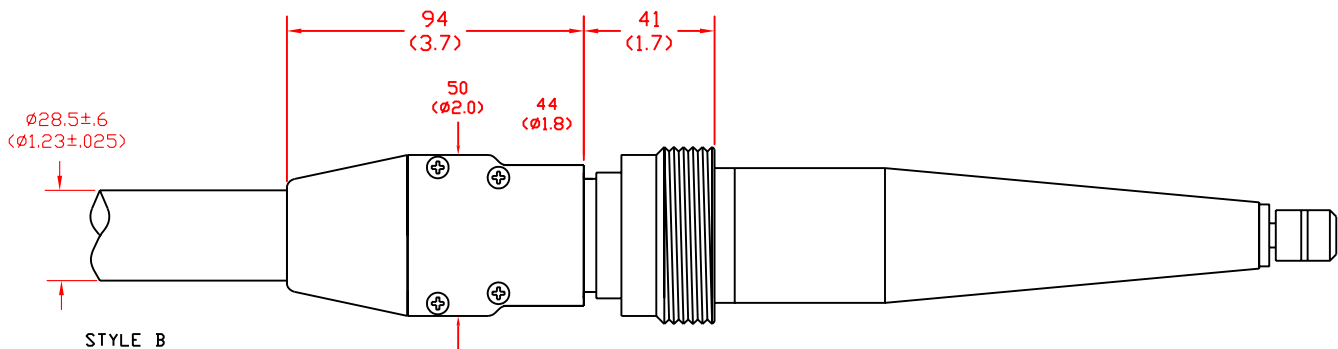


TYPE R24
OPERATING VOLTAGE- 160KVDC

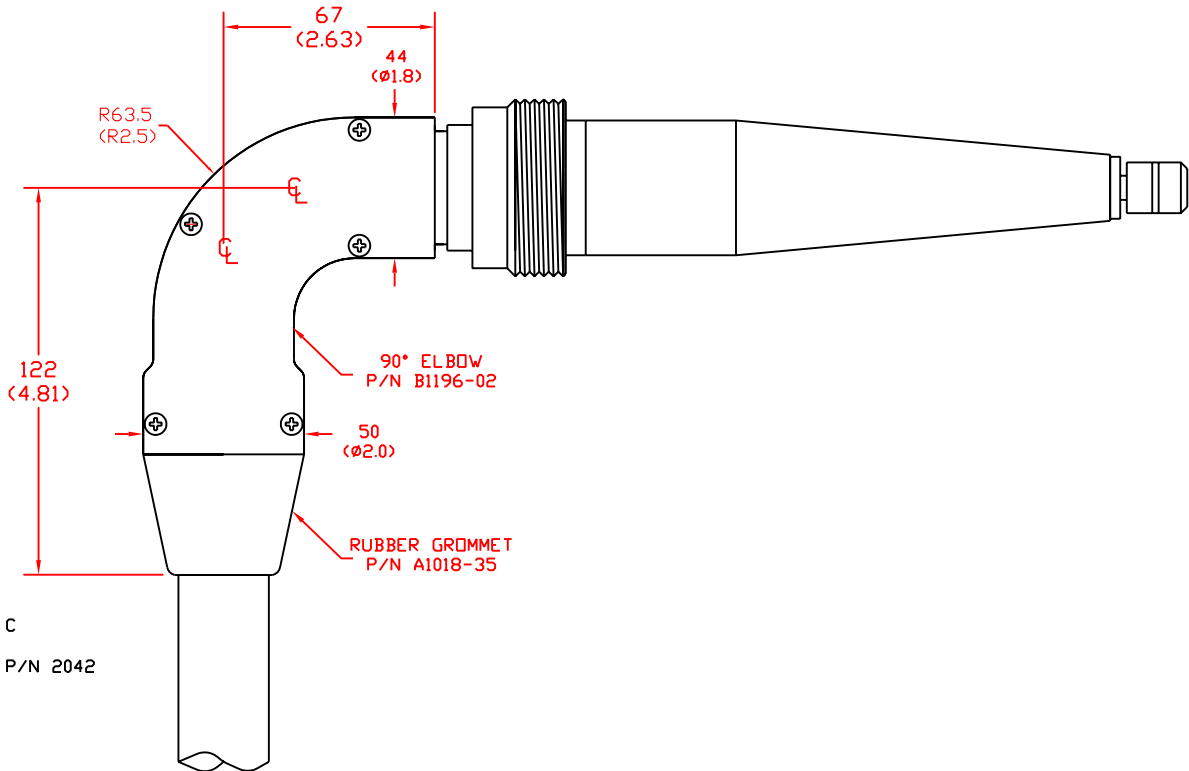


STYLE A
CABLE P/N 2236 OR 2042

1.75-16-2A THD
(ALTERNATE M45x1.5 THD)



STYLE B
CABLE P/N 2042



STYLE C
CABLE P/N 2042

90° ELBOW
P/N B1196-02

RUBBER GROMMET
P/N A1018-35