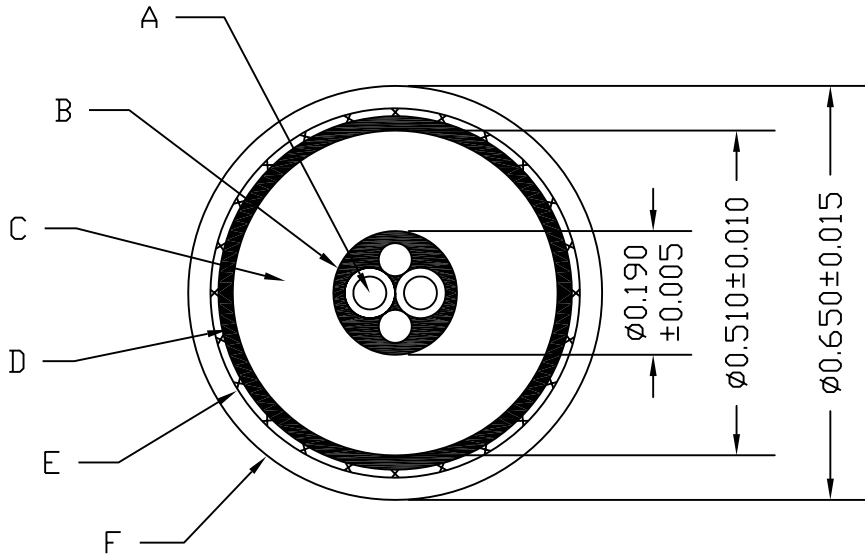


LEGEND

- A. CORE CONDUCTORS
2X #15AWG(19X.0131") TINNED COPPER WITH .007 WALL
TEFZEL, WHITE & BLACK.
2X #18AWG(19X.0093") TINNED COPPER UNINSULATED
- B. SEMICONDUCTING LAYER.
- C. FLEXIBLE XLPE INSULATING COMPOUND, DSI# 5603
- D. SEMICONDUCTING LAYER
- E. SHIELD, #34AWG (.0063) TIN COATED COPPER, 11 ENDS,
24 CARRIER, 90% NOMINAL COVERAGE.
- F. JACKET: VINYL, GREY, .035 WALL



CAPACITANCE - $39 \pm 10\%$ PICOFARADS/FT
 IMPEDANCE - $53 \pm 10\%$ OHM

REVISIONS				THIS DOCUMENT AND THE INFORMATION CONTAINED IN IT ARE THE PROPERTY OF DIELECTRIC SCIENCES, INC AND SHALL NOT BE REPRODUCED OR COPIED OR USED AS THE BASIS FOR THE MANUFACTURE OF APPARATUS WITHOUT PERMISSION.					
REV	ECO NUMBER	APPD	DATE	UNLESS OTHERWISE SPECIFIED	DRAWN D. ABDULKY	DATE 20 JUN 06		DIELECTRIC SCIENCES, INC CHELMSFORD, MASSACHUSETTS 01824	
-	RELEASE DRAWING				CHECKED	DATE			
				DIMENSIONS ARE IN INCHES TOLERANCE ON DECIMALS ANGLES .XX ±.01 ± .XXX ±.005	APPROVED	DATE		HV CABLE, 3/C, 75KVDC	
					MATERIAL				
				CONCENTRICITY .005 TIR REMOVE BURRS & SHARP EDGES ALL MACHINE SURFACES 125 \checkmark	FINISH	SIZE A	FSCM NO. 50509	DWG NO. 2289	REV
						SCALE		SHEET	OF