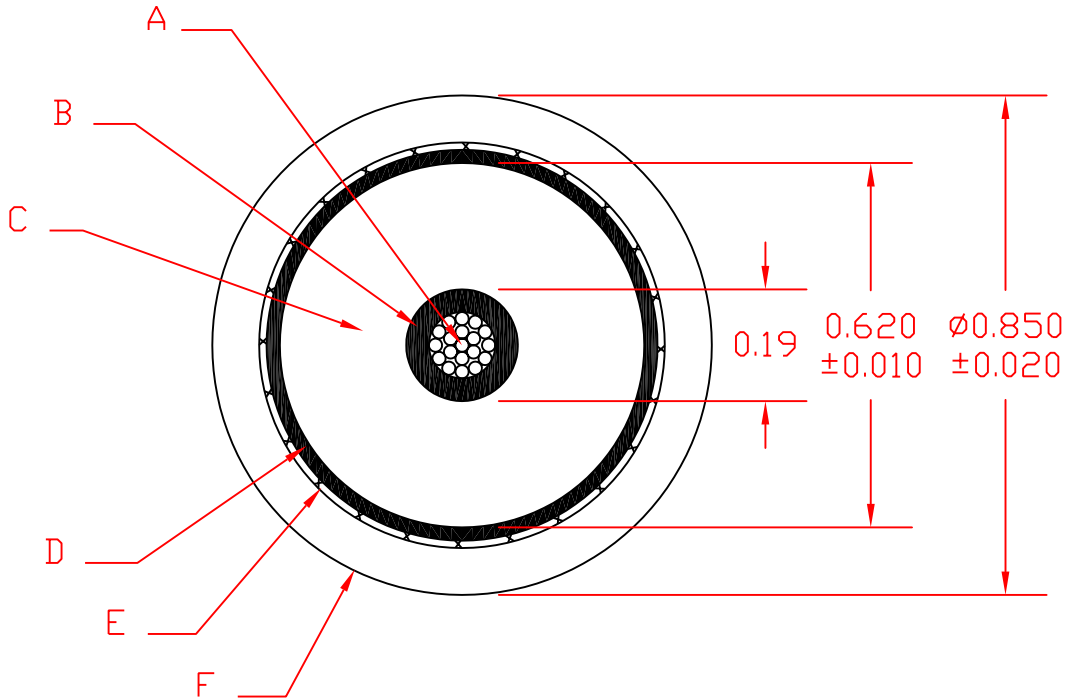


LEGEND

- A. CORE CONDUCTOR  
#10AWG(19/23) SILVER PLATED COPPER
- B. SEMI CON EPR TO  $\phi$ .190 .010 MIN WALL
- C. INSULATING EPR TO  $\phi$ .620 $\pm$ .010
- D. SEMI CON EPR TO  $\phi$ .665 $\pm$ .010
- E. SHIELD 0.0063 TIN COATED COPPER BRAID  
90% MINIMUM COVERAGE TO  $\phi$ .690 $\pm$ .010
- F. JACKET: POLYURETHANE; BLACK OVER .002 MYLAR  
SEPARATOR. .075 WALL NOMINAL (.060 WALL MIN)  
TO  $\phi$ .850 $\pm$ .020



REVISIONS

REV	ECO NUMBER	APPD	DATE
-	RELEASE DRAWING		
1			

THIS DOCUMENT AND THE INFORMATION CONTAINED IN IT ARE THE PROPERTY OF DIELECTRIC SCIENCES, INC AND SHALL NOT BE REPRODUCED OR COPIED OR USED AS THE BASIS FOR THE MANUFACTURE OF APPARATUS WITHOUT PERMISSION.

UNLESS OTHERWISE SPECIFIED		DRAWN G LAMBERT	DATE 05NOV98
DIMENSIONS ARE IN INCHES TOLERANCE ON		CHECKED	DATE
DECIMALS .XX ±.01 .XXX ±.005	ANGLES ±	APPROVED	DATE
CONCENTRICITY .005 TIR REMOVE BURRS & SHARP EDGES ALL MACHINE SURFACES 125 $\checkmark$		MATERIAL	
		FINISH	

**DIELECTRIC SCIENCES, INC**  
CHELMSFORD, MASSACHUSETTS 01824

CABLE: 1/C #10AWG 100KV

SIZE <b>A</b>	FSCM NO. <b>50509</b>	DWG NO. <b>2242</b>	REV <b>1</b>
SCALE		SHEET OF	