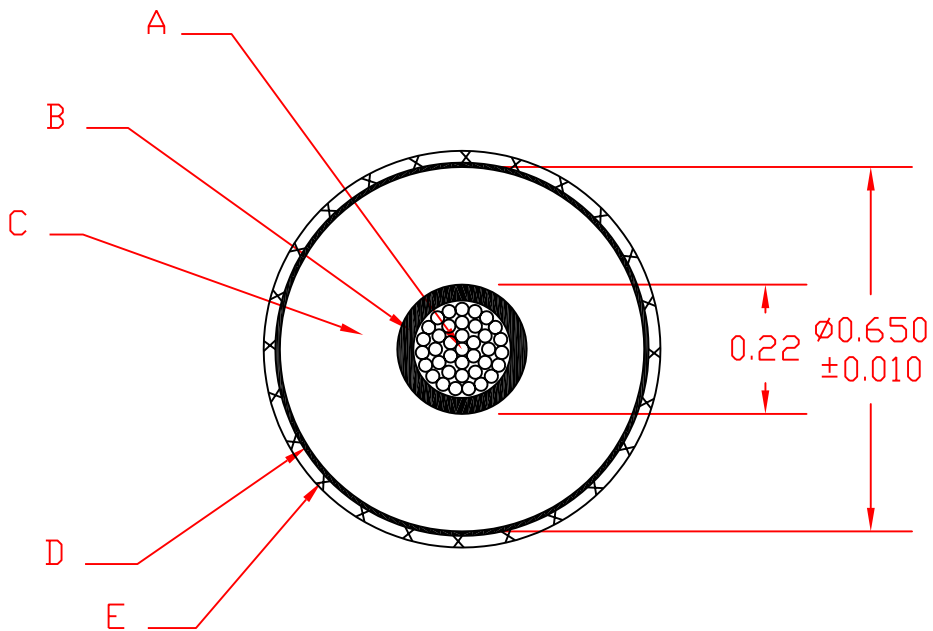


LEGEND



- A. CORE CONDUCTOR  
 #8AWG(133x) TIN PLATED COPPER
- B. SEMI CON SILICONE TO  $\phi.220$ , .020 MIN WALL
- C. INSULATING SILICONE TO  $\phi.650 \pm .010$
- D. SEMI CON INK & TAPE TO  $\phi.672 \pm .010$
- E. SHIELD 0.0063 TIN COATED COPPER BRAID  
 10 ENDS, 24 CARRIER, 8.1 PICKS/INCH  
 85% MINIMUM COVERAGE TO  $\phi.70 \pm .010$

REVISIONS

THIS DOCUMENT AND THE INFORMATION CONTAINED IN IT ARE THE PROPERTY OF DIELECTRIC SCIENCES, INC AND SHALL NOT BE REPRODUCED OR COPIED OR USED AS THE BASIS FOR THE MANUFACTURE OF APPARATUS WITHOUT PERMISSION.

REV	ECO NUMBER	APPD	DATE
-	RELEASE DRAWING		

UNLESS OTHERWISE SPECIFIED	
DIMENSIONS ARE IN INCHES TOLERANCE ON	
DECIMALS .XX ±.01 .XXX ±.005	ANGLES ±
CONCENTRICITY .005 TIR REMOVE BURRS & SHARP EDGES ALL MACHINE SURFACES 125 $\checkmark$	

DRAWN D. ABDULKY	DATE 11AUG08
CHECKED	DATE
APPROVED	DATE
MATERIAL	
FINISH	

<b>DIELECTRIC SCIENCES, INC</b> CHELMSFORD, MASSACHUSETTS 01824			
CABLE: 1/C #8AWG 100KV			
SIZE <b>A</b>	FSCM NO. <b>50509</b>	DWG NO. <b>2062S</b>	REV
SCALE		SHEET	OF